



GROVELEY DETECTION

Groveley Detection Limited

Anchor Works, Groveley Road

Christchurch, Dorset

BH23 3HB

UK

T: +44 (0)1202 483497

F: +44 (0)1202 486658

E: sales@groveley.co.uk

Remote Test Gas Point RTP-1P

The RTP-1P and RTP-4P range of remote test gas points provide flexible options to easily check the functionality of installed gas detectors.

Remote test gas points can be provided as single or multi-point units. They enable regular detector testing from a single location for one or more detectors that are positioned in difficult to access locations.

The remote test gas point can be used with a variety of gas detectors and used to transfer a selection of different test gasses. Calibration gas is simply and quickly connected to the front of each test point and fed to the installed location of each detector.

Each remote test gas point is engraved with a unique identification tag of the detector it services, ensuring no mistakes are made when testing different detectors.

The RTP-4P channel option can be used when multiple detectors require gasing from one location.

Benefits

- Easy remote testing of gas detectors
- Options available for different detector quantities
- Reduces need for maintenance scaffolding
- Clear detector identification tags

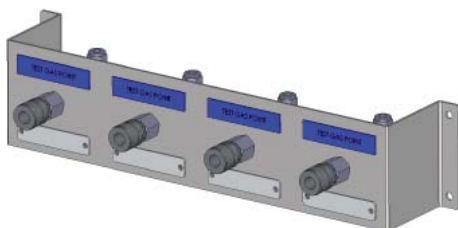


Fig. 2 RTP-4P

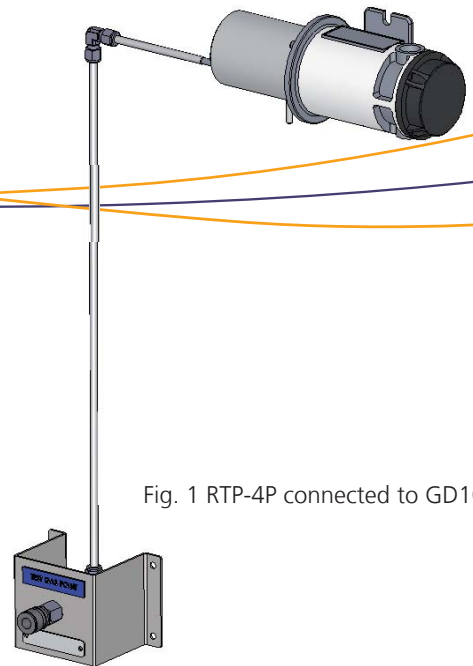


Fig. 1 RTP-4P connected to GD10P



www.groveley.co.uk

*No-one ever regretted
buying quality...*