



**GROVELEY DETECTION**

**Groveley Detection Limited**

Anchor Works, Groveley Road

Christchurch, Dorset

BH23 3HB

UK

**T:** +44 (0)1202 483497

**F:** +44 (0)1202 486658

**E:** sales@groveley.co.uk

## GD-RD001 4-20mA LOOP POWERED DISPLAY

A flameproof display which has been designed as a retrospective 'add-on' to many field devices to increase their effectiveness.

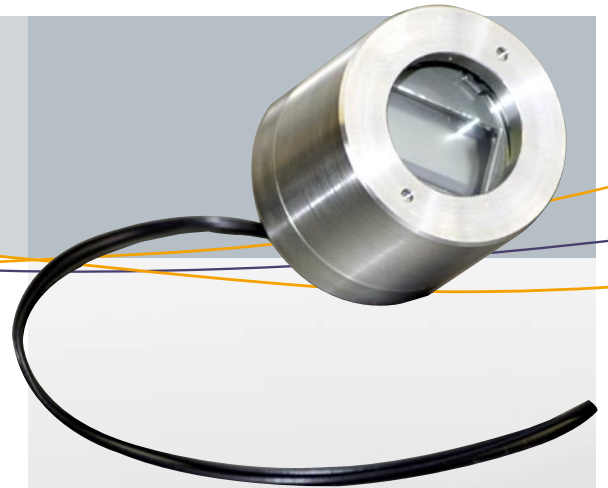
Typical applications include; gas detectors - allowing one man calibration; temperature sensors - local temperature indicator; and pressure switches - letting operators be updated on the situation.

### **Features**

- 4-20mA loop powered flameproof display - (LED & LCD options)
- Extended temperature version - 4 wire LED
- High visibility display (3 1/2 digit display)
- Can accommodate a wide variety of measurement units
- Housing manufactured from 316 Stainless Steel
- ATEX Certified and non certified models available
- Easily connected to Exd or Exe junction boxes
- Threaded screw available as M20, M25 3/4" NPT or 1/2" NPT

### **Benefits**

- Eliminates the need for two people, at different locations to test one device - reducing maintenance costs
- Clear and easy to read display
- Can be used with a variety of 4-20mA field devices
- Suitable for extreme environmental conditions and hazardous area use
- Gives local indication of potentially hazardous situations



[www.groveley.co.uk](http://www.groveley.co.uk)

*No-one ever regretted  
buying quality...*

# 4-20 mA LOOP POWERED DISPLAY GD-RD001

## TECHNICAL DETAILS

### Operating Temperature

- -10°C to +60°C (LCD or LED)
- -40°C to +60°C [option] (LED only)


### Storage Temperature

- -20°C to +70°C

### Humidity

- 0 to 95% RH (non-condensing)
- Warm up period: 1 minute

### Certification

- ATEX  II 2G EExd IIB + H2 T6 (-40°C to +60°C)
- DEMKO Certificate No. 05 ATEX 139090X

### Thread Size

- 20mm (M20 x 1.5P) to BS6343: 1981
- Options: M25 x 1.5P, ¾" NPT, ½" NPT

### Digital Display

- 3 1/2 digit

### Construction Material

- 316 Stainless Steel (certified)
- Aluminium (non-certified)

### Wiring

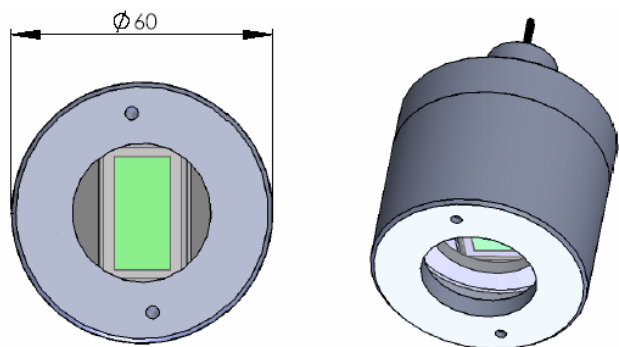
- LCD version (2 wire)
- LED version (4 wire)

### Weight

- 780 gm approx (stainless steel)

### Dimensions

- Total length inc. thread 75mm
- Main body length 54.5mm
- Body diameter 60 mm



Prefix	Material (M)	Display (D)	Range (R)	Thread (TH)
RD-001-030	A - Aluminium S - 316 Stainless Steel	C - LCD L - LED	0 - 100ppm H2S 1 - 20 mA 2 - 5 3 - 100 LEL X - Special	Blank - M20 1 - ½ NPT 2 - M25 3 - ¾ NPT X - Special

[www.groveley.co.uk](http://www.groveley.co.uk)

*No-one ever regretted buying quality...*