



**GROVELEY DETECTION**

**Groveley Detection Limited**

Anchor Works, Groveley Road

Christchurch, Dorset

BH23 3HB

UK

**T:** +44 (0)1202 483497

**F:** +44 (0)1202 486658



**E:** sales@groveley.co.uk

## Hazardous Area O2 Enrichment/ Depletion Detector **GD42X-XO2**

The GD42X-XO2 provides effective oxygen enrichment / depletion detection. The device provides a linear 4-20mA output for the range that the unit is calibrated over with a high temperature certified temperature option available.

The GD42X-XO2 has been designed with features that will provide an effective response to the detection of gas hazards in a wide range of industrial environments from boiler plant rooms to offshore petrochemical installations.

### **Features**

- Oxygen Enrichment / Depletion Gas Detection
- Unit operates from -20°C to +55°C
- Self Contained transmitter circuitry
- ATEX Certified  II 2 G EExd IIC T6 (Standard)
- ATEX Certified  II 2 G EExd IIC T3 (Hi Temp)
- ATEX Certified to 150°C (Not detector operation)

### **Benefits**

- The GD42X-XO2 sensitivity range is factory set to user requirements
- The GD42X-XO2 provides a 4-20mA output and is compatible with virtually all control systems
- High ambient temperature operation available
- The GD42X-XO2 is suitable for use in zones 1 and 2 hazardous area
- One man calibration minimises maintenance costs



[www.groveley.co.uk](http://www.groveley.co.uk)


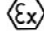
*No-one ever regretted  
buying quality...*

# Hazardous Area Oxygen Enrichment/Depletion Detector **GD42X-XO2**

## TECHNICAL DETAILS

■ Voltage	12-30vdc (24vdc nominal)
■ Power Consumption	3.0 watts max
■ Output	4-20mA 2 or 3 wire
■ Load Resistance	250 ohms max
■ Weight	~4 Kg (Aluminium)
■ Cable Entries	2 x M20
■ Humidity	0 to 99% RH non-condensing
■ Operating Temp	-20°C to + 55°C

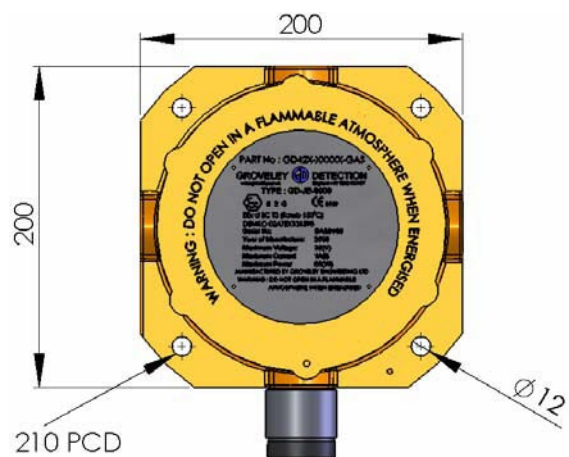
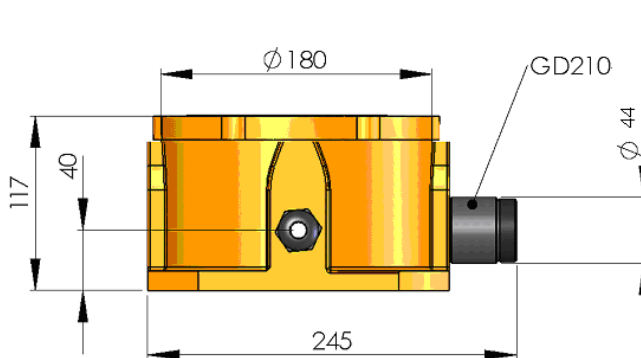
## Certification

■ ATEX: 	II 2 G EExd, IIC T6 -40°C to 40°C
■ ATEX: 	II 2 G EExd, IIC T3 -40°C to 150°C
■ Certification	DEMKO 02ATEX133173U
■ Ingress Protection	IP66

## Construction Material

■ Standard	Epoxy coated aluminium (gold)
■ Option	316 stainless steel

## ■ Dimensions



## ■ Order Information

Generic Part number: GD42X-XO2 xxxxx-A-B-C-D-E

Gas (XO2)

25PCT = 25% VOLUME

A = Detector Material (Aluminium or SS)

B = Certified Temperature T6 (Standard) or T3 (High Temperature)

C = Approvals: European E(ATEX)

D = JB Material (Aluminium or SS)

E = Entries: 1 - (1 x M20); 2 - (1 x M25)

E.g. GD42X-XO2-25PCT-S6EA1

GD42X, Oxygen, 25% VOLUME, Stainless Steel, T6 Certified, ATEX; Aluminium; 1 x M20 Cable Entry

[www.groveley.co.uk](http://www.groveley.co.uk)

*No-one ever regretted  
buying quality...*