



GROVELEY DETECTION

Groveley Detection Limited

Anchor Works, Groveley Road

Christchurch, Dorset

BH23 3HB

UK

T: +44 (0)1202 483497

F: +44 (0)1202 486658

E: sales@groveley.co.uk

Oxygen & Toxic Gas Detector **GD217**

The GD217 provides an effective response to the detection of toxic or oxygen gas hazards in a wide range of industrial environments.

The output of the GD217 for electrochemical sensors constitutes one half of a 3 wire mV Wheatstone bridge circuit. When using electrochemical cells, the GD217 can be combined with a flameproof or uncertified transmitter providing a 2 wire 4-20 mA output.

A range of accessories are available enabling the GD217 to be used in diverse applications such as HVAC ducting, flowline systems or freestanding open air applications.

A high temperature gas sensor option is available for elevated ambient temperature operation.

Features

- Detection of oxygen and a full range of toxic gases
- Wide range of electrochemical sensor options available
- Standard and high temperature options available
- ATEX certified & non certified models
- Available for use with flameproof and uncertified 4-20mA output devices

Benefits

- Not limited to a single electrochemical cell manufacturer
- Good range of ATEX certified operating temperatures (sensor dependant)
- Can be made from either 316 SS or clear anodised aluminium



www.groveley.co.uk

*No-one ever regretted
buying quality...*

Oxygen & Toxic Gas Detector GD217

TECHNICAL DETAILS

Dimensions

- Total length, including thread 66mm
- Main body length 44mm
- Body diameter 44mm
- Weight 375g approx
- Thread Size - 20mm (M20 x 1.5P) to BS 6343: 1981
Options: M25 x 1.5P, 3/4" NPT, 1/2" NPT



Construction Material

- 316 Stainless Steel
- Clear Anodised Aluminium

Catalytic Sensors

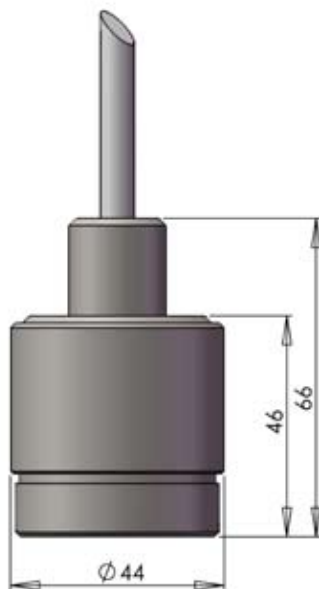
- The GD217 can be fitted with a broad range of electrochemical cells manufactured, each having a long and successful track record for detecting oxygen or toxic gases.

Certification

-  II 2G EExd IIB + H2 T6 (-40°C to +40°C)
-  II 2G EExd IIB + H2 T3 (-40°C to +150°C) [option]
- DEMKO Certificate No. 02 ATEX 132848X

Accessories

- Weather protectors
- Flow housing
- Collector cones
- EEXe Junction Box



www.groveley.co.uk

*No-one ever regretted
buying quality...*