



GROVELEY DETECTION

Groveley Detection Limited

Anchor Works, Groveley Road

Christchurch, Dorset

BH23 3HB

UK

T: +44 (0)1202 483497

F: +44 (0)1202 486658

E: sales@groveley.co.uk

GD10-Duct Mount Flange Kit Engineering Data Sheet



GD10P with duct mount kit fitted

Duct or Pipe Mounting

The Duct Mounting Kit is purpose designed to allow you to mount a GD10P infrared gas detector directly into a ventilation duct or pipe. The duct mount kit comprises:

- Stainless steel flange
- Gasket
- Fixing bolts
- Modified weather housing
- Test gas tubing connection

It can be supplied either in kit form or ready assembled to a GD10P which speeds up site installation.

This installation is suitable for smaller ducts, for longer ducts the GD10PE or an aspirator system should be used.

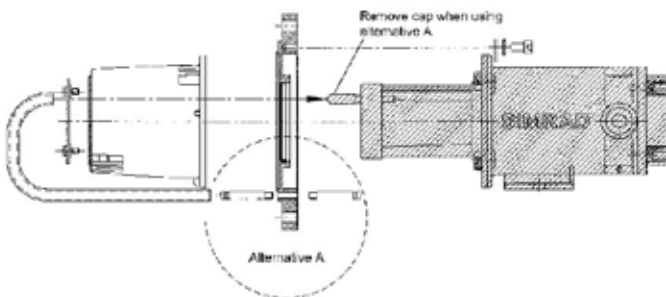


Fig 1. Exploded view duct mount flange kit

www.groveley.co.uk

*No-one ever regretted
buying quality...*

Engineering Data Sheet Duct Mount Flange Kit

Duct or Pipe Mounting

- If installed in a ventilation duct or pipe, the mounting arrangement and accessories shown in figures 1 and 2 should be used.
- The duct mounting bracket shown in Fig. 1 allows the GD10P to be positioned in the core of the airflow in wide ducts or pipes.
- Avoid direct light on lens and mirror if the GD10P is mounted without the weather protection.
- In order to achieve minimum response time, the weather protection must be oriented with the flow direction indicator facing into the air flow. See figures 1 and 2 over page.
- The sensor must be mounted in straight parts of the duct with undisturbed airflow. Avoid areas with possible turbulent flow e.g. immediately after sharp bends or junctions.
- The kit includes a modified weather protection as well as piping for functional testing.

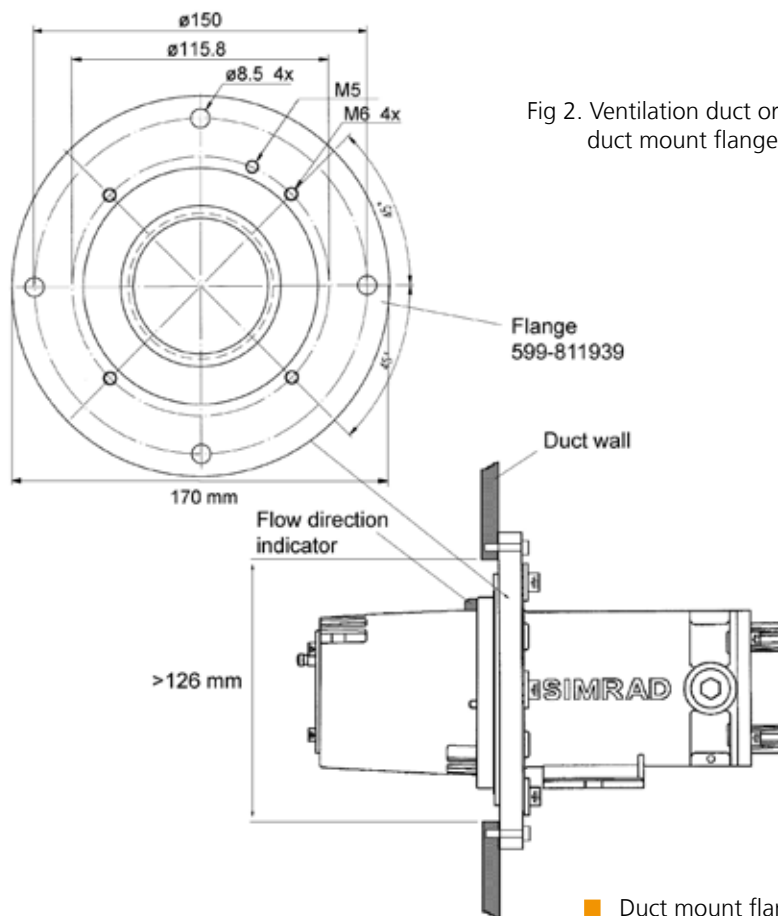


Fig 2. Ventilation duct or pipe mounting using duct mount flange kit. Refer to fig 1. for details

- Duct mount flange kit part number: 499-811938.0